

**COMPAERO**  
India Pvt. Ltd.

**PROTECTIVE COVERS**



# CONTENTS

Introduction.....	3
Component Materials.....	4
Material & Plating Options.....	5
Compaero Protective Cover Families.....	6

## Attachments

Lanyard Options.....	8
Ring and Eyelet Options .....	9

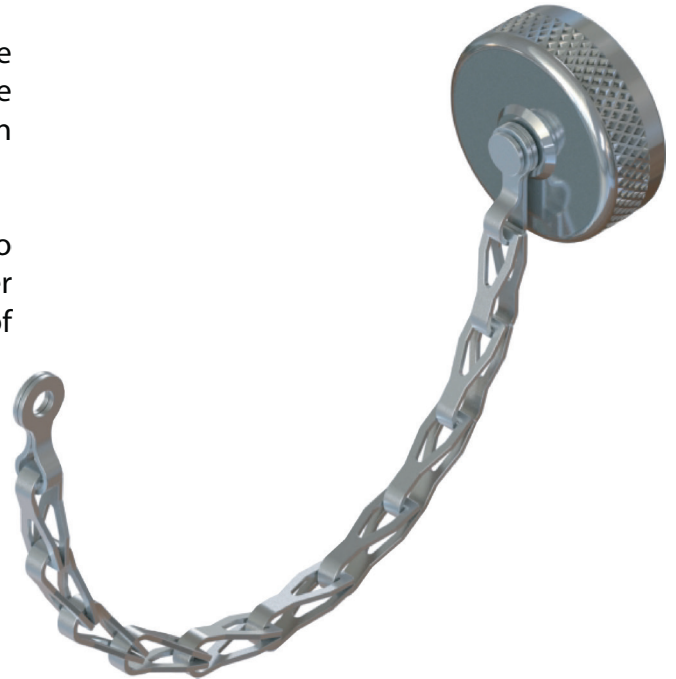
## Protective Covers

Series 32 & 33.....	10
Series 42 & 43.....	12
Series 80 & 81.....	14
Series 123 & 124.....	16
Series 451 & 452.....	18
Series 501 & 502.....	20
Series 510 & 511.....	22
Series 591 & 601.....	24
Series 592 & 602.....	26

## PROTECT FROM ANY ENVIRONMENT...

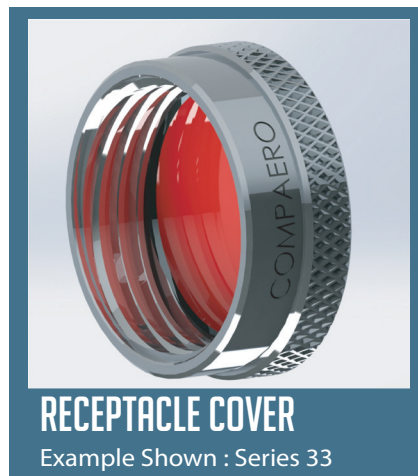
Compaero design, manufacture and supply an extensive range of protective accessories that provide effective moisture and dust protection for almost every known circular connector.

A variety of security rings and eyelets of all sizes are also available for customization. Covers are assembled to order from stock in as little as 48 hours with a wide selection of lanyard types and lengths



**PLUG COVER**

Example Shown : Series 80



**RECEPTACLE COVER**

Example Shown : Series 33

A protective cover is an essential part of interconnect assemblies. It protects plugs and receptacles from dust, moisture, dirt and contact bending. Compaero offers a wide range of protective covers with both bayonet and threaded coupling styles.

# MATERIALS

## Component Material Descriptions



Compaero employs traceable methods when sourcing and using material. All manufacturer certifications are kept on file and are available upon request. For more information please contact the Compaero Sales Team.

COMPONENT	MATERIAL
Cover	Aluminum 6061 or 300 Series Stainless Steel
Gasket / Stepped Gasket	Silicone Rubber
Ring / Eyelet	300 Series Stainless Steel
Rivet / Bayonet Pin	300 Series Stainless Steel

All Compaero Protective Covers are available in a wide selection of material and plating combinations, from heavy duty marine applications to lightweight aerospace solutions, there is an option for almost any situation.

COMPAERO CODE	MIL-SPEC CODE	MATERIAL	PLATING	PROCESS
B		Marine Bronze	Shotblast, Nonreflective	1000 Hour Salt Spray, Conductive -65 to +200°C
C	A	Aluminum	Anodize, Black	AMS-A-8625 Type II Class 2, 336 Hour Salt Spray, Non-Conductive -65 to +175°C
F	N, F	Aluminum	Electroless Nickel	AMS-C-26074 Class 4 Grade B; ASTM-B-733, SC 2, Type IV, 48 Hour Salt Spray, Conductive -65 to +200°C
G		Aluminum	Anodize, Hardcoat, Black	AMS-A-8625 Type III, Class 2, .001" thick, 336 Hour Salt Spray, Non-Conductive -65 to +200°C
KB	B	Stainless Steel	Cadmium, Black	SAE-AMS-QQ-P-416 Type II Class 3 1000 Hour Salt Spray, Conductive -65 to +175°C
K	S	Stainless Steel	Passivate	SAE-AMS-SAE-AMS-QQ-P-35 Type VI 1000 Hour Salt Spray, Conductive -65 to +200°C
KL		Stainless Steel	Electrodeposited Nickel	SAE-AMS-QQ-N-290 Class 1 Grade F 1000 Hour Salt Spray, Conductive -65 to +200°C
T		Aluminum	Zinc-Nickel, Black	ASTM B841 Grade 5 over electroless nickel 1000 Hour Salt Spray, Conductive -65 to +175°C
W	W	Aluminum	Cadmium, Olive Drab	SAE-AMS-QQ-P-416 Type II Class 2 over electroless nickel 1000 Hour Salt Spray, Conductive -65 to +175°C
X		Aluminum	Unplated	
Y		Aluminum	Zinc-Cobalt, Olive Drab	ASTM B 840 Grade 6 Type D over electroless nickel, 350 Hour Salt Spray, Conductive -65 to +175°C
ZN		Aluminum	Zinc-Nickel, Olive Drab	ASTM B841 Grade 5 over electroless nickel 1000 Hour Salt Spray, Conductive -65 to +175°C
Z		Aluminum	Zinc-Cobalt, Black	ASTM B 840 Grade 6 Type D over electroless nickel 350 Hour Salt Spray, Conductive -65 to +175°C

For the full list of available options, please consult [www.compaeroindia.com](http://www.compaeroindia.com)

Compaero offer protective covers for virtually all known circular connector families. The variants highlighted below are our standard lines.

To discuss protective cover options not shown, please contact your local sales representative, or e-mail [sales@compaeroindia.com](mailto:sales@compaeroindia.com)

CONNECTOR FAMILY	COMPAERO PROTECTIVE COVER FAMILY	PAGE NO.
MIL-DTL-38999 SERIES III	32 & 33	10
AS50151	42 & 43	12
MIL-DTL-26482-SERIES I & II	80 & 81	14
AS95234	123 & 124	16
MIL-DTL-38999 SERIES IV	451 & 452	18
MIL-DTL-38999 SERIES I	501 & 502	20
MIL-DTL-38999 SERIES II	510 & 511	22
MIL-DTL-26500 / MIL-DTL-83723 SERIES III THREADED	591 & 601	24
MIL-DTL-26500 / MIL-DTL-83723 SERIES III BAYONET	592 & 602	26

## ADAPTER FAMILIES

For standard circular connectors



## ADAPT TO ANY ENVIRONMENT...

Compaero manufacture and supply an extensive range of connector adapters to suit harsh environments across land, sea and air. Available solutions can provide both environmental and non-environmental sealing capabilities, effective EMI and RFI shielding and impressive strain relief options for almost any application.

Standard range adapters can be customized from a huge selection of options to ensure that your Compaero product is fully fit for purpose, whilst our team of experienced design engineers are on hand to work with you to provide bespoke solutions for more specific needs.



### ENVIRONMENTAL ADAPTERS

Example Shown : Series 46

Shrink boot adapters provide an economical approach to terminating overall cable and harness shields while accepting lipped shrink boot.



### ENVIRONMENTAL ADAPTERS

Example Shown : Series 60

Environmental adapters protect the wiring side of the connector from dust, dirt, moisture and fluids.



### EMI/RFI ENVIRONMENTAL ADAPTERS

Example Shown : Series 80

EMI/RFI environmental adapters enclose the cable in a tightly woven metal braid comprised of wire strands, creating an effective shield which helps to prevent EMI/RFI interference.

## Lanyard Options

S-Stainless steel Sash chain



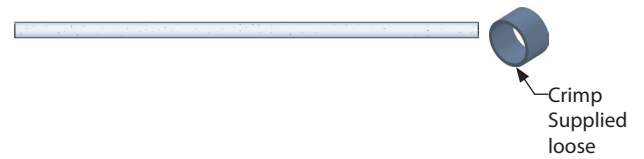
B-Stainless Steel Bead Chain



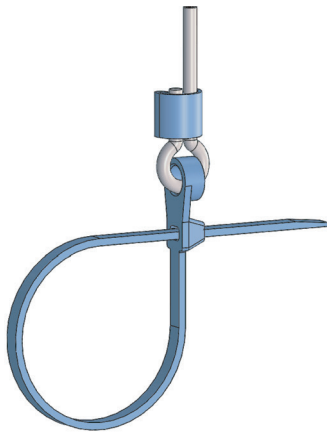
G-Nylon Rope, Black



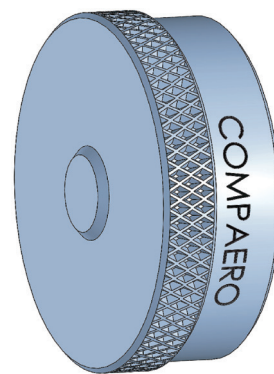
CF-Crimp Ferrule Option



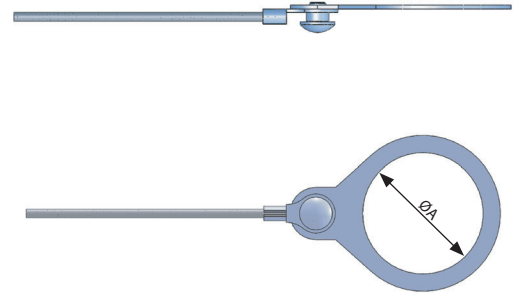
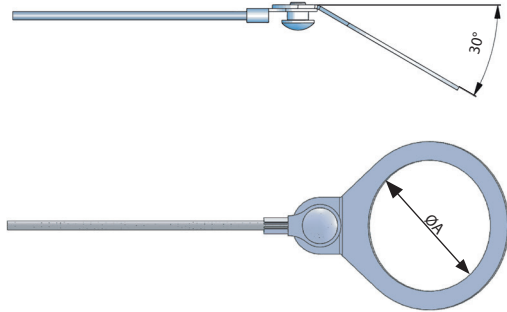
TR-Tie Wrap Option



X-No Accessory



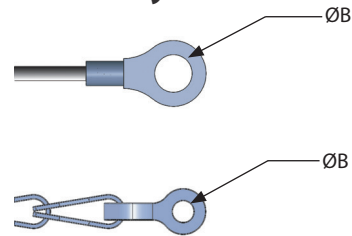
## Solid Rings



**Table 4** Ring Specification

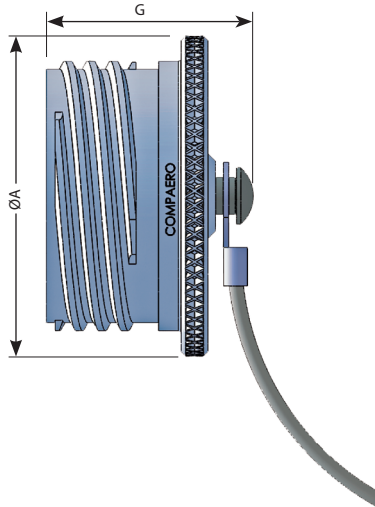
Ring	ØA		Ring 30°	ØA	
	in	mm		in	mm
20	.512	13.00	20A	.512	13.00
21	.591	15.01	21A	.591	15.01
22	.724	18.38	22A	.724	18.38
23	.787	20.00	23A	.787	20.00
24	.913	23.19	24A	.913	23.19
25	1.043	26.49	25A	1.043	26.49
26	1.193	30.30	26A	1.193	30.30
27	1.283	32.58	27A	1.283	32.58
28	1.437	36.49	28A	1.437	36.49
29	1.547	39.29	29A	1.547	39.29
30	1.689	42.90	30A	1.689	42.90
31	1.772	45.00	31A	1.772	45.00
32	1.890	48.00	32A	1.890	48.00
33	2.140	54.40	33A	2.140	54.40
34	2.406	61.10	34A	2.406	61.10
35	2.656	67.50	35A	2.656	67.50

## Eyelet

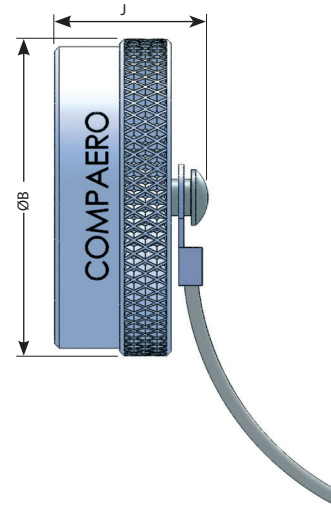


**Table 3** Eyelet Specifications

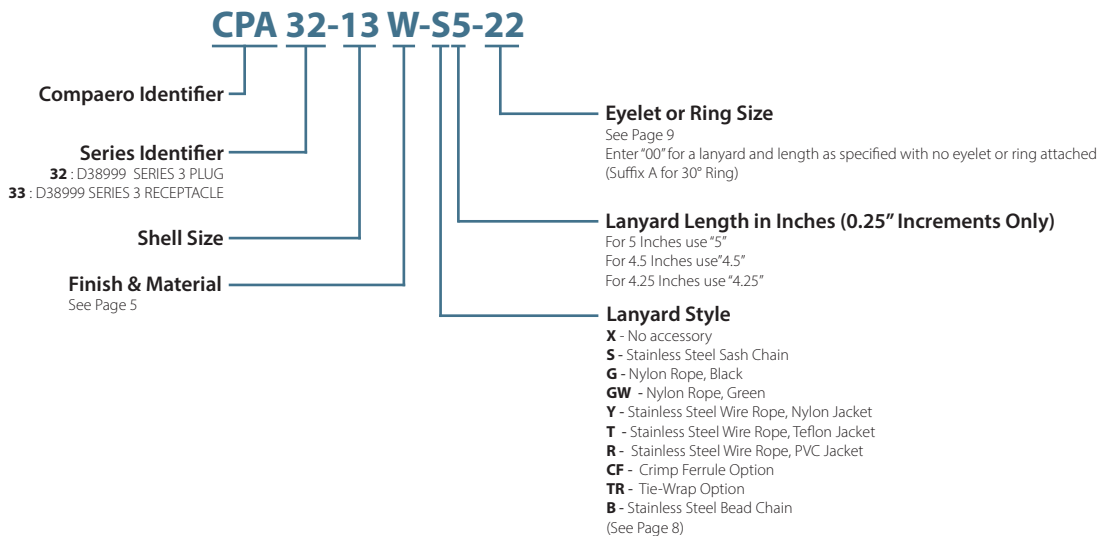
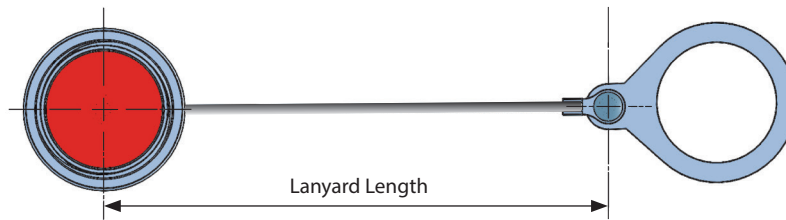
Eyelet	ØB
00	No Eyelet or Ring
01	0.140
02	0.167
03	0.197
04	0.125
05	0.156
06	0.182
07	0.191
08	0.218



**CPA 32 - Plug Cover**



**CPA 33 - Receptacle Cover**



**Table 1 CPA 32 Plug Cover Dimensions**

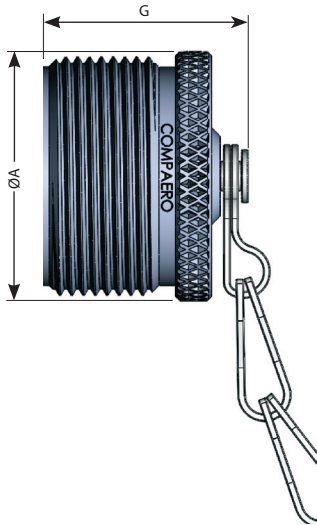
SHELL SIZE	ØA MAX.		G MAX.		STD. LANYARD LENGTH*	
	in	mm	in	mm	in	mm
9	.91	23.00	1.18	30.00	5.00	127.00
11	1.02	26.00	1.18	30.00	5.00	127.00
13	1.22	31.00	1.18	30.00	5.00	127.00
15	1.30	33.00	1.18	30.00	5.00	127.00
17	1.46	37.00	1.18	30.00	5.00	127.00
19	1.57	40.00	1.18	30.00	5.00	127.00
21	1.73	44.00	1.18	30.00	5.00	127.00
23	1.81	46.00	1.18	30.00	5.00	127.00
25	1.97	50.00	1.18	30.00	5.00	127.00

\* Tolerances for lanyard Length  
inches:  $\pm .51 / - .28$   
millimeters:  $\pm 13.0 / - 7.0$

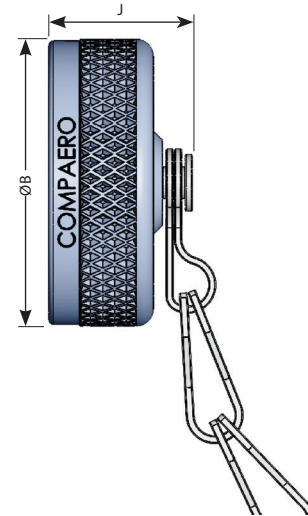
**Table 2 CPA 33 Receptacle Cover Dimensions**

SHELL SIZE	ØB MAX.		J MAX.		STD. LANYARD LENGTH*	
	in	mm	in	mm	in	mm
9	.91	23.00	.91	23.00	5.00	127.00
11	1.10	28.00	.91	23.00	5.00	127.00
13	1.22	31.00	.91	23.00	5.00	127.00
15	1.26	32.00	.91	23.00	5.00	127.00
17	1.46	37.00	.91	23.00	5.00	127.00
19	1.54	39.00	.91	23.00	5.00	127.00
21	1.65	42.00	.91	23.00	5.00	127.00
23	1.77	45.00	.91	23.00	5.00	127.00
25	1.93	49.00	.91	23.00	5.00	127.00

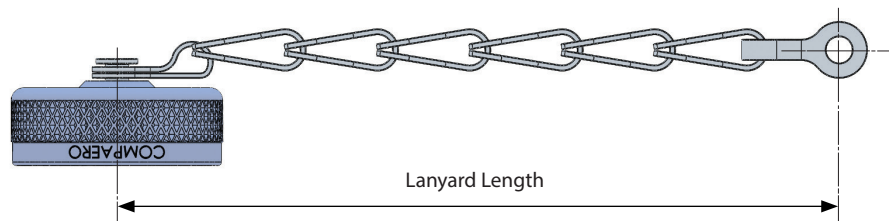
\* Tolerances for lanyard Length  
inches:  $\pm .51 / - .28$   
millimeters:  $\pm 13.0 / - 7.0$



**CPA 42 - Plug Cover**



**CPA 43 - Receptacle Cover**



**CPA 43-12 W-S5-22**

- Compaero Identifier**
- Series Identifier**  
42 : MIL-DTL-5015 PLUG  
43 : MIL-DTL-5015 RECEPTACLE
- Shell Size**
- Finish & Material**  
See Page 5
- Eyelet or Ring Size**  
See Page 9  
Enter "00" for a lanyard and length as specified with no eyelet or ring attached (Suffix A for 30° Ring)
- Lanyard Length in Inches (0.25" Increments Only)**  
For 5 Inches use "5"  
For 4.5 Inches use "4.5"  
For 4.25 Inches use "4.25"
- Lanyard Style**  
X - No accessory  
S - Stainless Steel Sash Chain  
G - Nylon Rope, Black  
GW - Nylon Rope, Green  
Y - Stainless Steel Wire Rope, Nylon Jacket  
T - Stainless Steel Wire Rope, Teflon Jacket  
R - Stainless Steel Wire Rope, PVC Jacket  
CF - Crimp Ferrule Option  
TR - Tie-Wrap Option  
B - Stainless Steel bead Chain  
(See Page 8)

**Table 1 CPA 42 Plug Cover Dimensions**

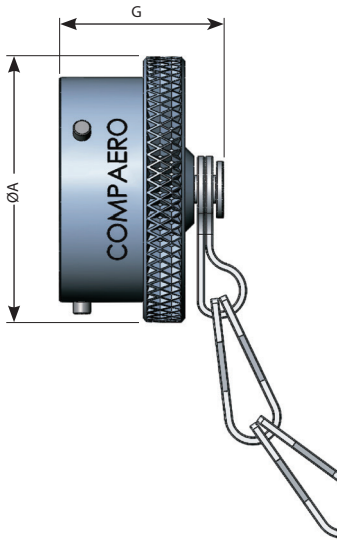
SHELL SIZE	ØA MAX.		G MAX.		STD. LANYARD LENGTH*	
	in	mm	in	mm	in	mm
08	.562	14.27	.969	24.61	4.0	101.60
10	.687	17.45	.969	24.61	4.0	101.60
12	.812	20.62	1.156	29.36	4.5	114.30
14	.937	23.80	1.156	29.36	4.5	114.30
16	1.062	26.97	1.156	29.36	4.5	114.30
18	1.187	30.15	1.156	29.36	4.5	114.30
20	1.312	33.32	1.156	29.36	5.0	127.00
22	1.437	36.50	1.156	29.36	5.0	127.00
24	1.562	39.67	1.156	29.36	5.5	139.70
28	1.812	46.02	1.156	29.36	7.75	196.85
32	2.062	52.37	1.156	29.36	7.75	196.85
36	2.312	58.72	1.156	29.36	7.75	196.85
40	2.562	65.07	1.156	29.36	7.75	196.85
44	2.812	71.42	1.156	29.36	7.75	196.85
48	3.062	77.77	1.156	29.36	7.75	196.85

\* Tolerances for lanyard Length : ± one link

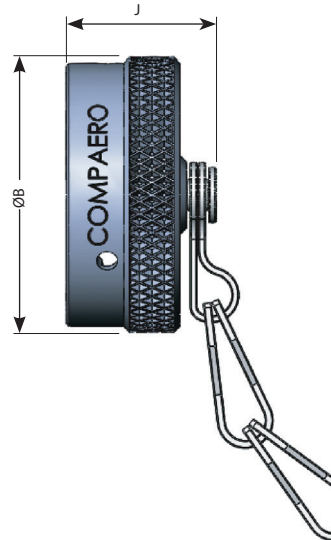
**Table 2 CPA 43 Receptacle Cover Dimensions**

SHELL SIZE	ØB MAX.		J MAX.		STD. LANYARD LENGTH*	
	in	mm	in	mm	in	mm
08	.688	17.48	.750	19.05	4.0	101.60
10	.815	20.70	.750	19.05	4.0	101.60
12	1.000	25.40	.750	19.05	4.5	114.30
14	1.125	28.58	.750	19.05	4.5	114.30
16	1.188	30.18	.750	19.05	4.5	114.30
18	1.344	34.14	.750	19.05	4.5	114.30
20	1.469	37.31	.750	19.05	5.0	127.00
22	1.594	40.49	.750	19.05	5.0	127.00
24	1.719	43.66	.750	19.05	5.5	139.70
28	1.969	50.01	.812	20.62	7.75	196.90
32	2.219	56.36	.812	20.62	7.75	196.90
36	2.469	62.71	.812	20.62	7.75	196.90
40	2.719	69.06	.812	20.62	7.75	196.90
44	2.969	75.41	.812	20.62	7.75	196.90
48	3.188	80.98	.812	20.62	7.75	196.90

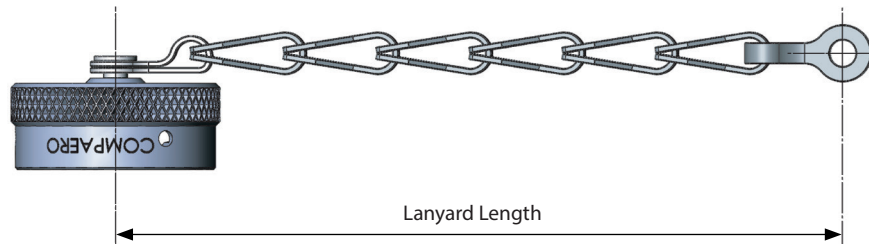
\* Tolerances for lanyard Length : ± one link



**CPA 80 - Plug Cover**



**CPA 81 - Receptacle Cover**



**CPA 81-12 W-S5-22**

- Compaero Identifier**
- Series Identifier**  
80: MIL-DTL-26482 PLUG  
81: MIL-DTL-26482 RECEPTACLE
- Shell Size**
- Finish & Material**  
See Page 5
- Eyelet or Ring Size**  
See Page 9  
Enter "00" for a lanyard and length as specified with no eyelet or ring attached (Suffix A for 30° Ring)
- Lanyard Length in Inches (0.25" Increments Only)**  
For 5 Inches use "5"  
For 4.5 Inches use "4.5"  
For 4.25 Inches use "4.25"
- Lanyard Style**  
X - No accessory  
S - Stainless Steel Sash Chain  
G - Nylon Rope, Black  
GW - Nylon Rope, Green  
Y - Stainless Steel Wire Rope, Nylon Jacket  
T - Stainless Steel Wire Rope, Teflon Jacket  
R - Stainless Steel Wire Rope, PVC Jacket  
CF - Crimp Ferrule Option  
TR - Tie-Wrap Option  
B - Stainless Steel Bead Chain (See Page 8)

**Table 1 CPA 80 Plug Cover Dimensions**

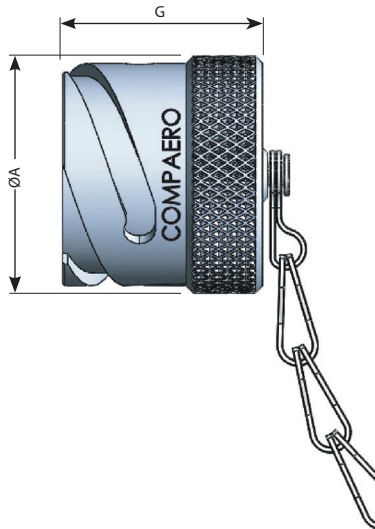
SHELL SIZE	ØA MAX.		G MAX.		STD. LANYARD LENGTH*	
	in	mm	in	mm	in	mm
08	.719	18.26	.781	19.84	3.0	76.20
10	.844	21.44	.781	19.84	3.0	76.20
12	1.000	25.40	.781	19.84	3.5	88.90
14	1.125	28.58	.781	19.84	3.5	88.90
16	1.250	31.75	.781	19.84	3.5	88.90
18	1.375	34.92	.781	19.84	3.5	88.90
20	1.500	38.10	.844	21.44	4.0	101.60
22	1.625	41.28	.844	21.44	4.0	101.60
24	1.750	44.45	.875	22.22	4.0	101.60

\* Tolerances for lanyard Length  
inches **±.50/-0.25**  
millimeters: **+12.70/-6.35**

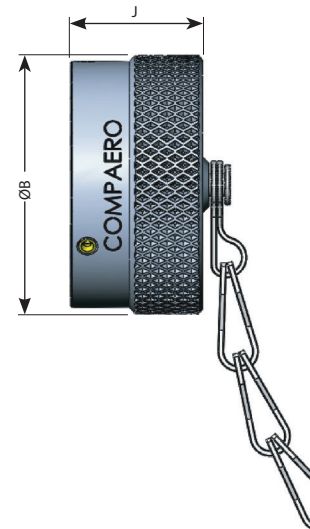
**Table 2 CPA 81 Receptacle Cover Dimensions**

SHELL SIZE	ØB MAX.		J MAX.		STD. LANYARD LENGTH*	
	in	mm	in	mm	in	mm
08	.734	18.64	.844	21.44	3.0	76.20
10	.859	21.82	.844	21.44	3.0	76.20
12	1.000	25.40	.844	21.44	3.5	88.90
14	1.125	28.58	.844	21.44	3.5	88.90
16	1.250	31.75	.844	21.44	3.5	88.90
18	1.375	34.92	.844	21.44	3.5	88.90
20	1.500	38.10	.844	21.44	4.0	101.60
22	1.625	41.28	.844	21.44	4.0	101.60
24	1.750	44.45	.875	22.22	4.0	101.60

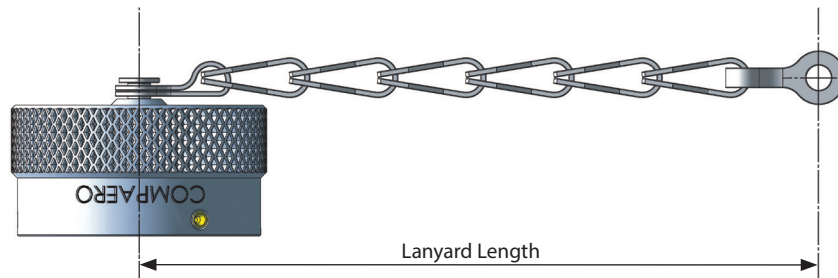
\* Tolerances for lanyard Length  
inches **±.50/-0.25**  
millimeters: **+12.70/-6.35**



**CPA 124 - Plug Cover**



**CPA 123 - Receptacle Cover**



**CPA 123-12 W-S5-22**

**Compaero Identifier**

**Series Identifier**

**124** : AS95234 PLUG  
**123** : AS95234 RECEPTACLE

**Shell Size**

**Finish & Material**  
See Page 5

**Eyelet or Ring Size**

See Page 9  
Enter "00" for a lanyard and length as specified with no eyelet or ring attached  
(Suffix A for 30° Ring)

**Lanyard Length in Inches (0.25" Increments Only)**

For 5 Inches use "5"  
For 4.5 Inches use "4.5"  
For 4.25 Inches use "4.25"

**Lanyard Style**

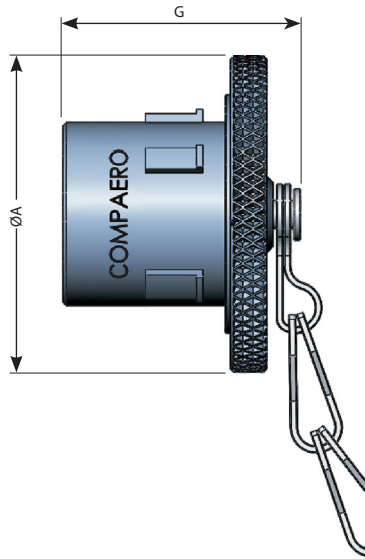
- X** - No accessory
- S** - Stainless Steel Sash Chain
- G** - Nylon Rope, Black
- GW** - Nylon Rope, Green
- Y** - Stainless Steel Wire Rope, Nylon Jacket
- T** - Stainless Steel Wire Rope, Teflon Jacket
- R** - Stainless Steel Wire Rope, PVC Jacket
- CF** - Crimp Ferrule Option
- TR** - Tie-Wrap Option
- B** - Stainless Steel Bead Chain  
(See Page 8)

**Table 1 CPA 124 Plug Cover Dimensions**

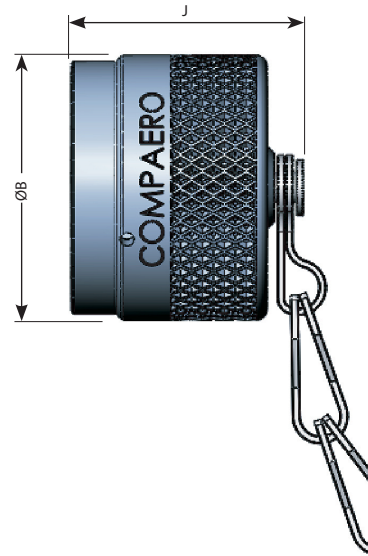
SHELL SIZE	ØA MAX.		G MAX.		APPROX. LANYARD LENGTH	
	in	mm	in	mm	in	mm
10SL	.827	21.00	1.142	29.00	4.252	108
12S	.930	23.60	1.142	29.00	4.252	108
14S	1.083	27.50	1.142	29.00	4.843	123
16S	1.181	30.00	1.142	29.00	4.843	123
16	1.181	30.00	1.142	29.00	4.843	123
18	1.319	35.50	1.457	37.00	4.843	123
20	1.457	37.00	1.457	37.00	5.433	138
22	1.575	40.00	1.457	37.00	5.433	138
24	1.713	43.50	1.457	37.00	5.433	138
28	1.949	49.50	1.457	37.00	8.110	206
32	2.205	56.00	1.457	37.00	8.110	206
36	2.461	62.50	1.457	37.00	8.110	206
40	2.665	67.70	1.457	37.00	8.110	206

**Table 2 CPA 123 Receptacle Cover Dimensions**

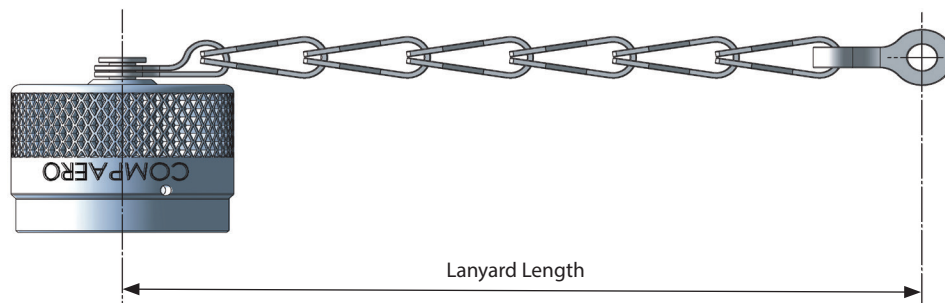
SHELL SIZE	ØB MAX.		J MAX.		APPROX. LANYARD LENGTH	
	in	mm	in	mm	in	mm
10SL	.925	23.50	.787	20.00	4.252	108
12S	1.050	26.20	.787	20.00	4.252	108
14S	1.201	30.50	.787	20.00	4.252	108
16S	1.299	33.00	.787	20.00	4.252	108
16	1.299	33.00	.984	25.00	4.843	123
18	1.476	37.50	.984	25.00	4.843	123
20	1.614	41.00	.984	25.00	4.843	123
22	1.732	44.00	.984	25.00	4.843	123
24	1.870	47.50	.984	25.00	4.843	123
28	2.146	54.50	.984	25.00	8.110	206
32	2.402	61.00	.984	25.00	8.110	206
36	2.657	67.50	.984	25.00	8.110	206
40	2.874	73.00	.984	25.00	8.110	206



**CPA 451 - Plug Cover**



**CPA 452 - Receptacle Cover**



**CPA 451-13 W-S5-22**

- Compaero Identifier**
- Series Identifier**  
451: D38999 SERIES 4 PLUG  
452: D38999 SERIES 4 RECEPTACLE
- Shell Size**
- Finish & Material**  
See Page 5
- Eyelet or Ring Size**  
See Page 9  
Enter "00" for a lanyard and length as specified with no eyelet or ring attached (Suffix A for 30° Ring)
- Lanyard Length in Inches (0.25" Increments Only)**  
For 5 Inches use "5"  
For 4.5 Inches use "4.5"  
For 4.25 Inches use "4.25"
- Lanyard Style**  
X - No accessory  
S - Stainless Steel Sash Chain  
G - Nylon Rope, Black  
GW - Nylon Rope, Green  
Y - Stainless Steel Wire Rope, Nylon Jacket  
T - Stainless Steel Wire Rope, Teflon Jacket  
R - Stainless Steel Wire Rope, PVC Jacket  
CF - Crimp Ferrule Option  
TR - Tie-Wrap Option  
B - Stainless Steel Bead Chain  
(See Page 8)

**Table 1 CPA 451 Plug Cover Dimensions**

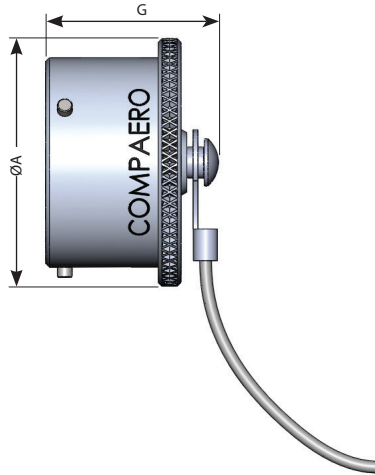
SHELL SIZE	ØA MAX.		G MAX.		STD. LANYARD LENGTH*	
	in	mm	in	mm	in	mm
11	1.380	35.05	1.731	43.97	5.0	127.00
13	1.570	39.88	1.731	43.97	5.0	127.00
15	1.660	42.17	1.731	43.97	5.0	127.00
17	1.790	45.47	1.731	43.97	5.0	127.00
19	1.920	48.77	1.731	43.97	5.0	127.00
21	2.060	52.33	1.731	43.97	5.0	127.00
23	2.250	57.15	1.731	43.97	5.0	127.00
25	2.380	60.45	1.731	43.97	5.0	127.00

\* Tolerances for lanyard Length  
inches: ±.25  
millimeters: ±6.35

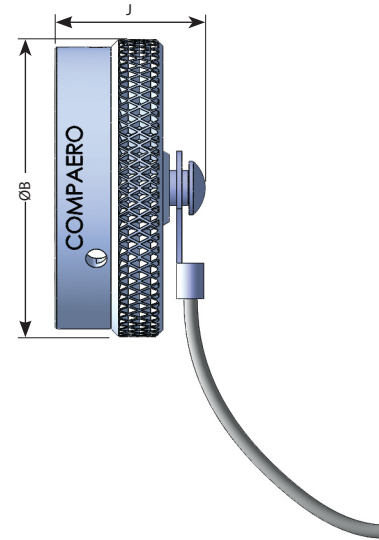
**Table 2 CPA 452 Receptacle Cover Dimensions**

SHELL SIZE	ØB MAX.		J MAX.		STD. LANYARD LENGTH*	
	in	mm	in	mm	in	mm
11	1.047	26.59	1.375	34.93	5.0	127.00
13	1.220	30.99	1.375	34.93	5.0	127.00
15	1.346	34.19	1.375	34.93	5.0	127.00
17	1.472	37.39	1.375	34.93	5.0	127.00
19	1.583	40.21	1.375	34.93	5.0	127.00
21	1.705	43.31	1.375	34.93	5.0	127.00
23	1.831	46.50	1.375	34.93	5.0	127.00
25	1.957	49.71	1.375	34.93	5.0	127.00

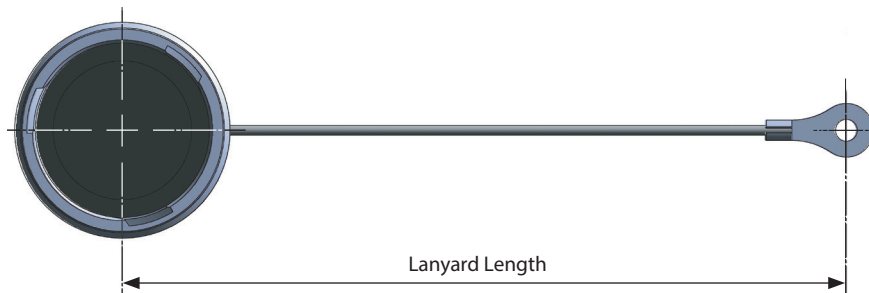
\* Tolerances for lanyard Length  
inches: ±.25  
millimeters: ±6.35



**CPA 501 - Plug Cover**



**CPA 502 - Receptacle Cover**



**CPA 501-13 W-S5-22**

- |   |   |
|---|---|
| <p><b>Compaero Identifier</b></p> <p><b>Series Identifier</b><br/>501: MIL-DTL-38999 SERIES 1 PLUG<br/>502: MIL-DTL-38999 SERIES 1 RECEPTACLE</p> <p><b>Shell Size</b></p> <p><b>Finish &amp; Material</b><br/>See Page 5</p> | <p><b>Eyelet or Ring Size</b><br/>See Page 9<br/>Enter "00" for a lanyard and length as specified with no eyelet or ring attached (Suffix A for 30° Ring)</p> <p><b>Lanyard Length in Inches (0.25" Increments Only)</b><br/>For 5 Inches use "5"<br/>For 4.5 Inches use "4.5"<br/>For 4.25 Inches use "4.25"</p> <p><b>Lanyard Style</b><br/> <b>X</b> - No accessory<br/> <b>S</b> - Stainless Steel Sash Chain<br/> <b>G</b> - Nylon Rope, Black<br/> <b>GW</b> - Nylon Rope, Green<br/> <b>Y</b> - Stainless Steel Wire Rope, Nylon Jacket<br/> <b>T</b> - Stainless Steel Wire Rope, Teflon Jacket<br/> <b>R</b> - Stainless Steel Wire Rope, PVC Jacket<br/> <b>CF</b> - Crimp Ferrule Option<br/> <b>TR</b> - Tie-Wrap Option<br/> <b>B</b> - Stainless Steel Bead Chain<br/>                     (See Page 8)</p> |
|---|---|

**Table 1 CPA 501 Plug Cover Dimensions**

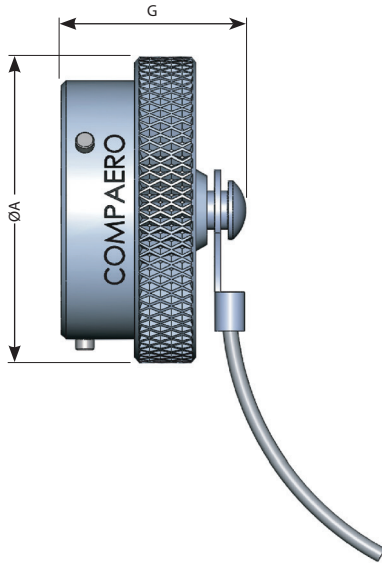
SHELL SIZE	ØA MAX.		G MAX.		STD. LANYARD LENGTH*	
	in	mm	in	mm	in	mm
09	.82	20.83	1.16	29.46	3.0	76.20
11	.94	23.88	1.16	29.46	3.0	76.20
13	1.07	27.18	1.16	29.46	3.5	88.90
15	1.19	30.23	1.16	29.46	3.5	88.90
17	1.32	33.53	1.16	29.46	3.5	88.90
19	1.44	36.58	1.16	29.46	3.5	88.90
21	1.57	39.88	1.16	29.46	4.0	101.60
23	1.69	42.93	1.16	29.46	4.0	101.60
25	1.82	46.23	1.16	29.46	4.0	101.60

\* Tolerances for lanyard Length  
inches:  $\pm .500/- .250$   
millimeters:  $\pm 12.70/- 6.35$

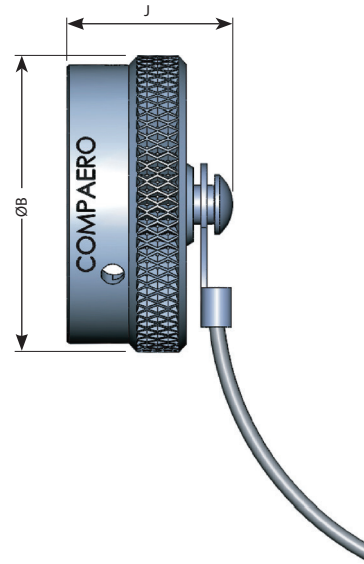
**Table 2 CPA 502 Receptacle Cover Dimensions**

SHELL SIZE	ØB MAX.		J MAX.		STD. LANYARD LENGTH*	
	in	mm	in	mm	in	mm
09	.86	21.84	1.10	27.94	3.0	76.20
11	.98	24.89	1.10	27.94	3.0	76.20
13	1.16	29.46	1.10	27.94	3.5	88.90
15	1.28	32.51	1.10	27.94	3.5	88.90
17	1.41	35.81	1.10	27.94	3.5	88.90
19	1.52	38.61	1.10	27.94	3.5	88.90
21	1.65	41.91	1.10	27.94	4.0	101.60
23	1.77	44.96	1.10	27.94	4.0	101.60
25	1.89	48.01	1.10	27.94	4.0	101.60

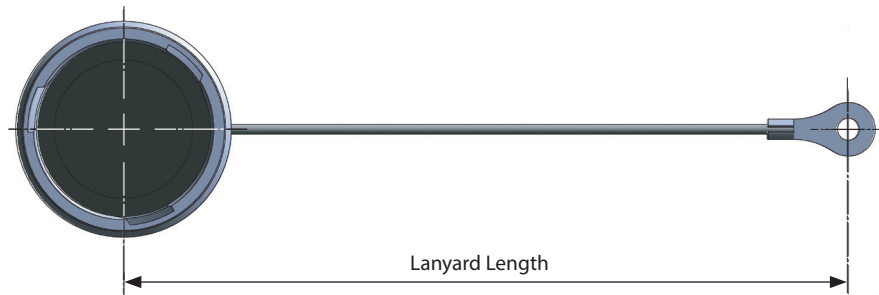
\* Tolerances for lanyard Length  
inches:  $\pm .500/- .250$   
millimeters:  $\pm 12.70/- 6.35$



**CPA 510 - Plug Cover**



**CPA 511 - Receptacle Cover**



**CPA 510-13 W-S5-22**

- Compaero Identifier**
- Series Identifier**  
510: MIL-DTL-38999 SERIES 2 PLUG  
511: MIL-DTL-38999 SERIES 2 RECEPTACLE
- Shell Size**
- Finish & Material**  
See Page 5
- Eyelet or Ring Size**  
See Page 9  
Enter "00" for a lanyard and length as specified with no eyelet or ring attached (Suffix A for 30° Ring)
- Lanyard Length in Inches (0.25" Increments Only)**  
For 5 Inches use "5"  
For 4.5 Inches use "4.5"  
For 4.25 Inches use "4.25"
- Lanyard Style**  
X - No accessory  
S - Stainless Steel Sash Chain  
G - Nylon Rope, Black  
GW - Nylon Rope, Green  
Y - Stainless Steel Wire Rope, Nylon Jacket  
T - Stainless Steel Wire Rope, Teflon Jacket  
R - Stainless Steel Wire Rope, PVC Jacket  
CF - Crimp Ferrule Option  
TR - Tie-Wrap Option  
B - Stainless Steel Bead Chain  
(See Page 8)

**Table 1 CPA 510 Plug Cover Dimensions**

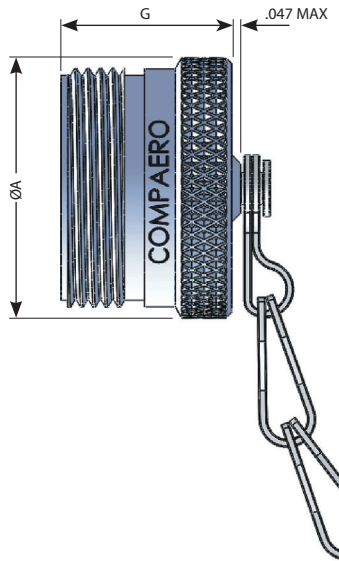
SHELL SIZE	ØA MAX.		G MAX.		STD. LANYARD LENGTH*	
	in	mm	in	mm	in	mm
08	.72	18.29	.82	20.83	3.0	76.20
10	.85	21.59	.82	20.83	3.0	76.20
12	1.00	25.40	.82	20.83	3.5	88.90
14	1.13	28.70	.82	20.83	3.5	88.90
16	1.25	31.75	.82	20.83	3.5	88.90
18	1.38	35.05	.82	20.83	3.5	88.90
20	1.50	38.10	.82	20.83	4.0	101.60
22	1.63	41.40	.82	20.83	4.0	101.60
24	1.75	44.45	.82	20.83	4.0	101.60

\* Tolerances for lanyard Length  
inches :+.50/--.250  
millimeters: +12.70/-6.35

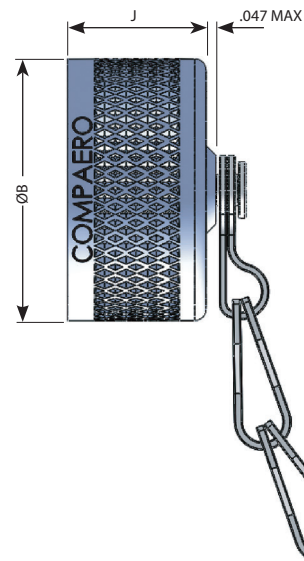
**Table 2 CPA 511 Receptacle Cover Dimensions**

SHELL SIZE	ØB MAX.		J MAX.		STD. LANYARD LENGTH*	
	in	mm	in	mm	in	mm
08	.75	19.05	.82	20.83	3.0	76.20
10	.86	21.82	.82	20.83	3.0	76.20
12	1.03	26.19	.82	20.83	3.5	88.90
14	1.16	29.36	.82	20.83	3.5	88.90
16	1.28	32.54	.82	20.83	3.5	88.90
18	1.41	35.71	.82	20.83	3.5	88.90
20	1.53	38.89	.82	20.83	4.0	101.60
22	1.64	41.68	.82	20.83	4.0	101.60
24	1.77	44.86	.82	20.83	4.0	101.60

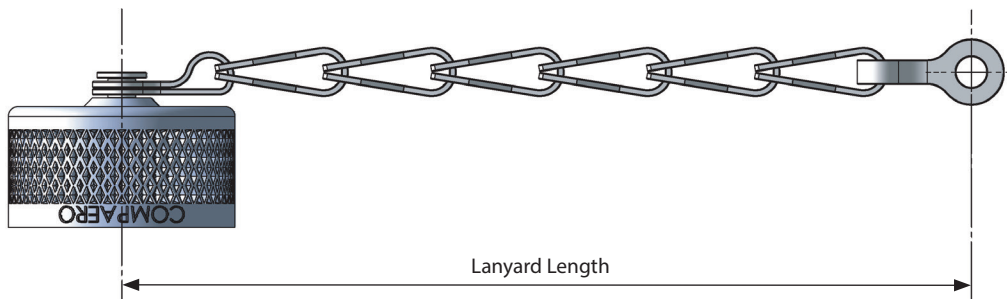
\* Tolerances for lanyard Length  
inches :+.50/--.250  
millimeters: +12.70/-6.35



**CPA 591 - Plug Cover**



**CPA 601 - Receptacle Cover**



**CPA 591-12 W-S5-22**

**Compaero Identifier**

**Series Identifier**

**591:** MIL-DTL-83723 SERIES 3 THREADED PLUG  
**601:** MIL-DTL-83723 SERIES 3 THREADED RECEPTACLE

**Shell Size**

**Finish & Material**

See Page 5

**Eyelet or Ring Size**

See Page 9

Enter "00" for a lanyard and length as specified with no eyelet or ring attached (Suffix A for 30° Ring)

**Lanyard Length in Inches (0.25" Increments Only)**

For 5 Inches use "5"  
For 4.5 Inches use "4.5"  
For 4.25 Inches use "4.25"

**Lanyard Style**

- X** - No accessory
- S** - Stainless Steel Sash Chain
- G** - Nylon Rope, Black
- GW** - Nylon Rope, Green
- Y** - Stainless Steel Wire Rope, Nylon Jacket
- T** - Stainless Steel Wire Rope, Teflon Jacket
- R** - Stainless Steel Wire Rope, PVC Jacket
- CF** - Crimp Ferrule Option
- TR** - Tie-Wrap Option
- B** - Stainless Steel Bead Chain (See Page 8)

**Table 1 CPA 591 Plug Cover Dimensions**

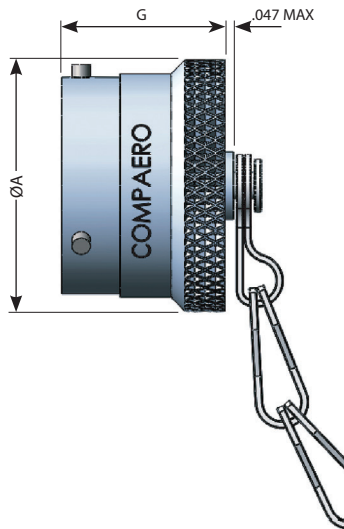
SHELL SIZE	ØA MAX.		G MAX.		STD. LANYARD LENGTH 1*		STD. LANYARD LENGTH 2*	
	in	mm	in	mm	in	mm	in	mm
08	.776	19.71	.767	19.48	5.00	127.00	8.00	203.20
10	.906	23.01	.767	19.48	5.00	127.00	8.00	203.20
12	1.078	27.38	.767	19.48	5.00	127.00	8.00	203.20
14	1.141	28.98	.767	19.48	5.00	127.00	8.00	203.20
16	1.266	32.16	.767	19.48	5.00	127.00	8.00	203.20
18	1.375	34.93	.767	19.48	5.00	127.00	8.00	203.20
20	1.510	38.35	.767	19.48	5.00	127.00	8.00	203.20
22	1.625	41.28	.767	19.48	5.00	127.00	8.00	203.20
24	1.760	44.70	.767	19.48	5.00	127.00	8.00	203.20

\* Tolerances for lanyard Length  
inches  $\pm .25$   
millimeters: +6.35

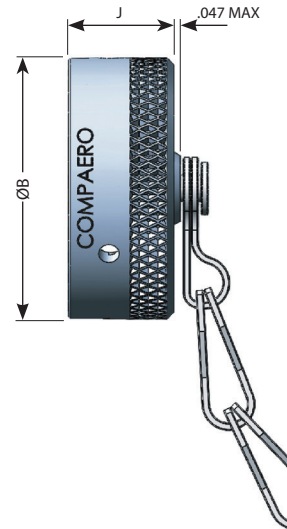
**Table 2 CPA 601 Receptacle Cover Dimensions**

SHELL SIZE	ØB MAX.		J MAX.		STD. LANYARD LENGTH 1*		STD. LANYARD LENGTH 2*	
	in	mm	in	mm	in	mm	in	mm
08	.776	19.71	.618	15.70	5.00	127.00	8.00	203.20
10	.906	23.01	.618	15.70	5.00	127.00	8.00	203.20
12	1.078	27.38	.618	15.70	5.00	127.00	8.00	203.20
14	1.141	28.98	.618	15.70	5.00	127.00	8.00	203.20
16	1.266	32.16	.618	15.70	5.00	127.00	8.00	203.20
18	1.375	34.93	.618	15.70	5.00	127.00	8.00	203.20
20	1.510	38.35	.618	15.70	5.00	127.00	8.00	203.20
22	1.625	41.28	.618	15.70	5.00	127.00	8.00	203.20
24	1.760	44.70	.618	15.70	5.00	127.00	8.00	203.20

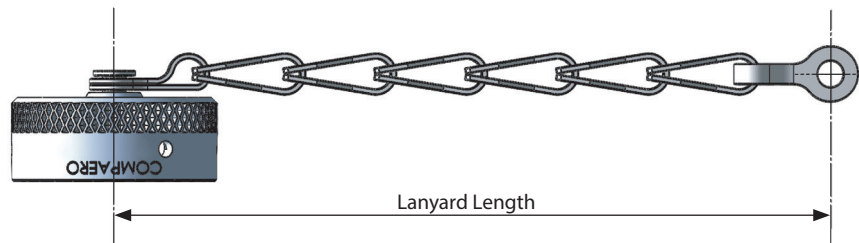
\* Tolerances for lanyard Length  
inches  $\pm .25$   
millimeters: +6.35



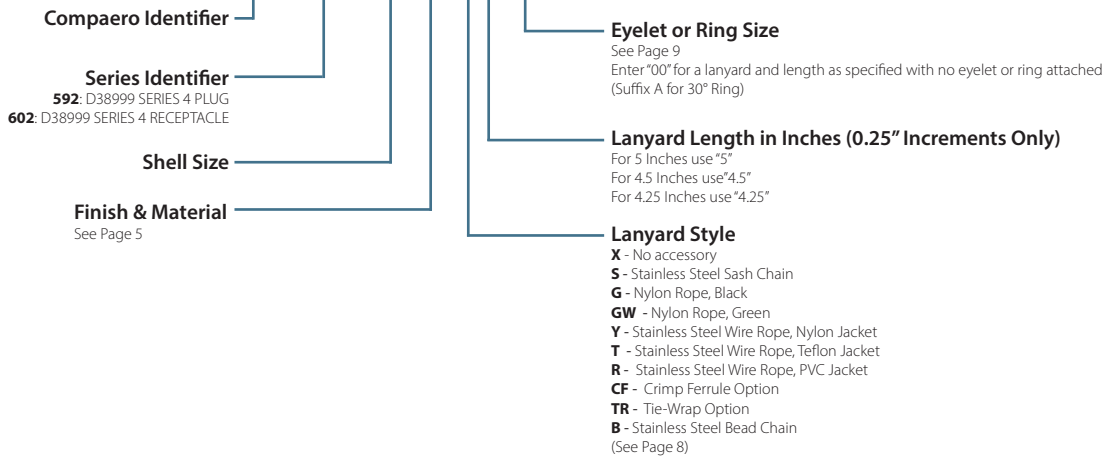
**CPA 592 - Plug Cover**



**CPA 602 - Receptacle Cover**



**CPA 592-12 W-S5-22**



**Table 1 CPA 592 Plug Cover Dimensions**

SHELL SIZE	ØA MAX.		G MAX.		STD. LANYARD LENGTH 1*		STD. LANYARD LENGTH 2*	
	in	mm	in	mm	in	mm	in	mm
8	.766	19.46	.767	19.48	5.00	127.00	8.00	203.20
10	.906	23.01	.767	19.48	5.00	127.00	8.00	203.20
12	1.078	27.38	.767	19.48	5.00	127.00	8.00	203.20
14	1.141	28.98	.767	19.48	5.00	127.00	8.00	203.20
16	1.266	32.16	.767	19.48	5.00	127.00	8.00	203.20
18	1.375	34.93	.767	19.48	5.00	127.00	8.00	203.20
20	1.510	38.35	.767	19.48	5.00	127.00	8.00	203.20
22	1.625	41.28	.767	19.48	5.00	127.00	8.00	203.20
24	1.760	44.70	.767	19.48	5.00	127.00	8.00	203.20

\* Tolerances for lanyard Length  
inches :+-.25  
millimeters: +6.35

**Table 2 CPA 602 Receptacle Cover Dimensions**

SHELL SIZE	ØB MAX.		J MAX.		STD. LANYARD LENGTH 1*		STD. LANYARD LENGTH 2*	
	in	mm	in	mm	in	mm	in	mm
8	.776	19.45	.618	15.70	5.00	127.00	8.00	203.20
10	.906	23.01	.618	15.70	5.00	127.00	8.00	203.20
12	1.078	27.38	.618	15.70	5.00	127.00	8.00	203.20
14	1.141	28.98	.618	15.70	5.00	127.00	8.00	203.20
16	1.266	32.16	.618	15.70	5.00	127.00	8.00	203.20
18	1.375	34.93	.618	15.70	5.00	127.00	8.00	203.20
20	1.510	38.35	.618	15.70	5.00	127.00	8.00	203.20
22	1.625	41.28	.618	15.70	5.00	127.00	8.00	203.20
24	1.760	44.70	.618	15.70	5.00	127.00	8.00	203.20

\* Tolerances for lanyard Length  
inches :+-.25  
millimeters: +6.35



## COMPAERO INDIA PVT. LTD.

KOCHI, INDIA

[www.compaeroindia.com](http://www.compaeroindia.com)

[india@compaero.com](mailto:india@compaero.com)

(+91) 484 2345 566

CAGE Code : 2733Y



## COMPAERO, INC.

MOORESVILLE, USA

[www.compaero.com](http://www.compaero.com)

[sales@compaero.com](mailto:sales@compaero.com)

(+1) 704-235-2900

CAGE Code : 0G3R1



## ISODYNE, INC.

WICHITA, USA

[www.isodyneinc.com](http://www.isodyneinc.com)

[sales@isodyneinc.com](mailto:sales@isodyneinc.com)

(+1) 316-682-5634

CAGE Code : 031M6

# WWW.COMPAEROINDIA.COM

All information is believed to be reliable. Readers should independently evaluate the suitability of each product for their application. Compaero makes no warranties as to the accuracy or completeness of the information herein and disclaims any liability regarding its use. Specifications are subject to change without notice. Compaero reserves the right to make changes, without notification to the customer, to processing or materials that do not affect compliance with any applicable specification.